

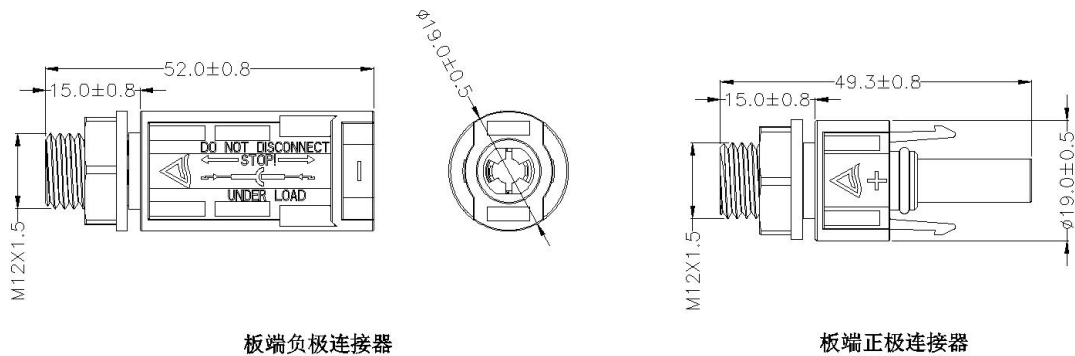
# 光伏板端连接器规格说明书

## Photovoltaic plate end connector Specifications

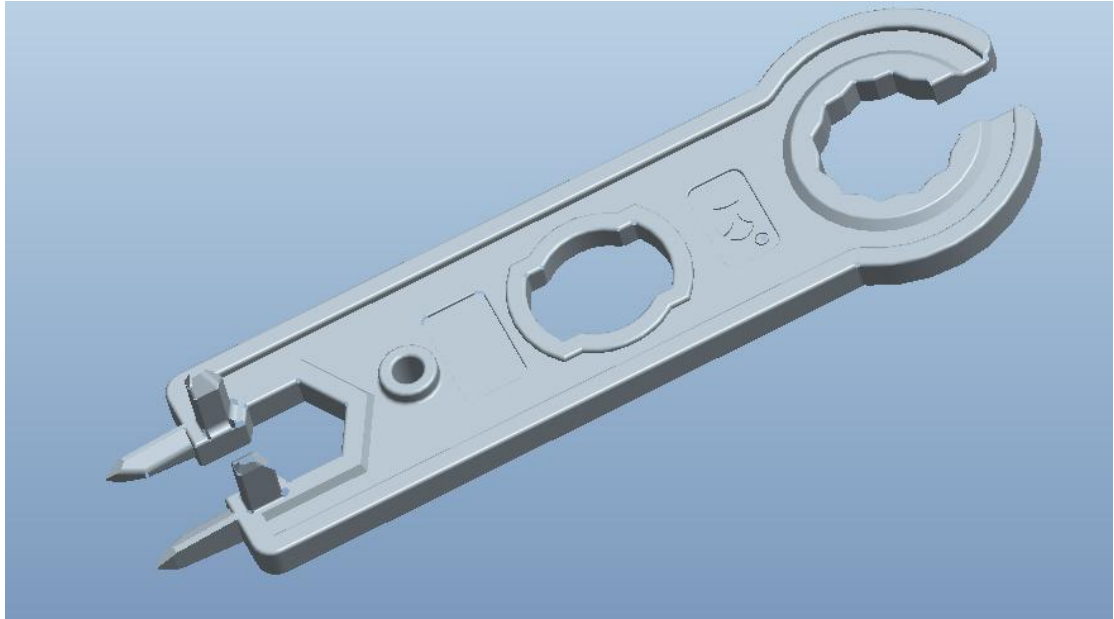
### 1. 技术参数 Technical data

线缆规格 Cable specification:	2.5~6mm <sup>2</sup> / 10~14AWG
线缆外径尺寸 Cable diameter size:	5.6mm-6.6mm
安全等级 Safety Class	Class II
污染等级 Pollution degree	2
防护等级 Protection degree	IP68
接触电阻 Contact Resistance	<0.4mΩ
额定电流 Rated current	30A/40A
额定电压 Rated voltage	1000V DC/1500V DC
温度范围 Temperature range	-40℃ up to +85℃
阻燃等级 Flammability Class	V-0/5VA
电气连接 Electrical Connections	铆接 Rivet
标准 Standard	IEC62852:2014

### 2. 产品尺寸 product dimension

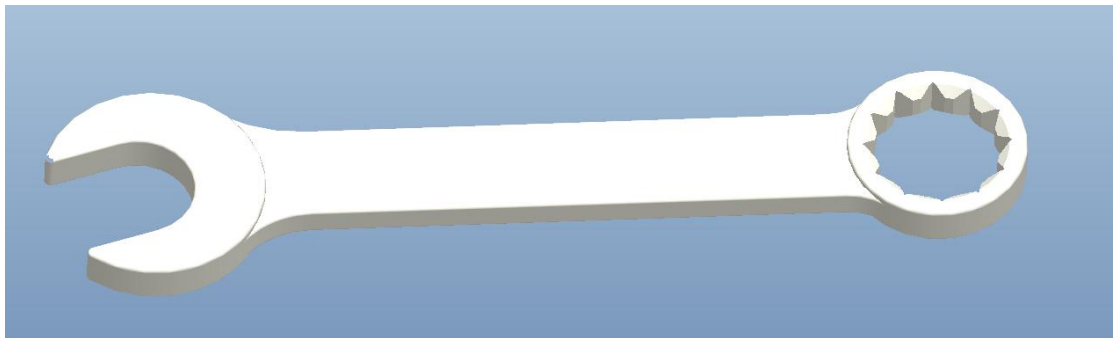


### 3. 工具要求 Tools required



1). 开锁扳手, 用于紧固和打开连接器。

Unlocking wrench, Fastening and opening connector.



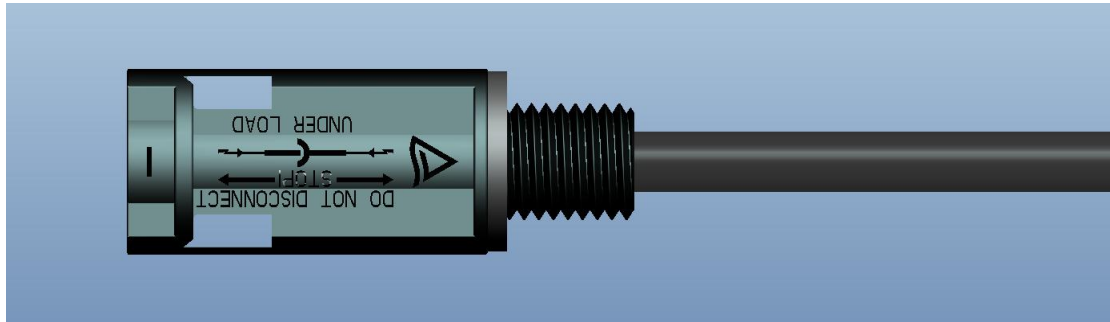
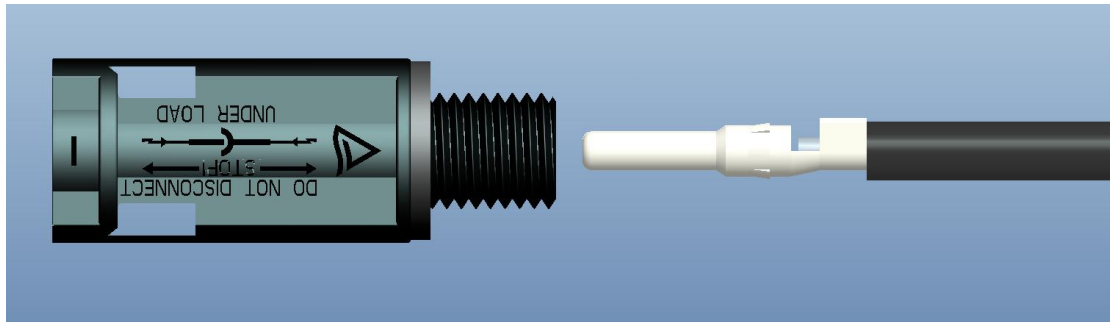
2). 开口扳手, 用于紧固板端连接器螺母。

Open-end spanner, Fastening nut for plate end connector.

#### 4. 安装应用 Assembly apply

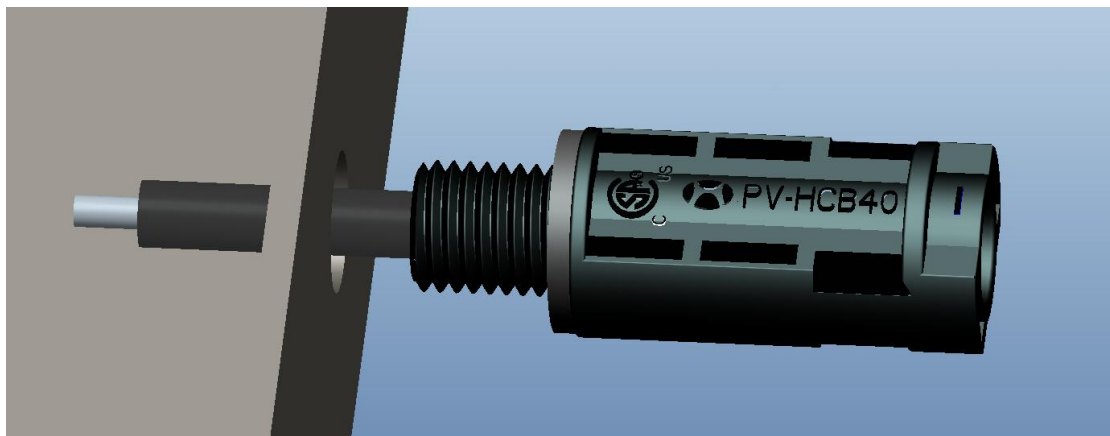
1). 把铆好端子的线缆沿接头后端孔插入，当听到咔嚓一声响时即装到位（如下图所示）

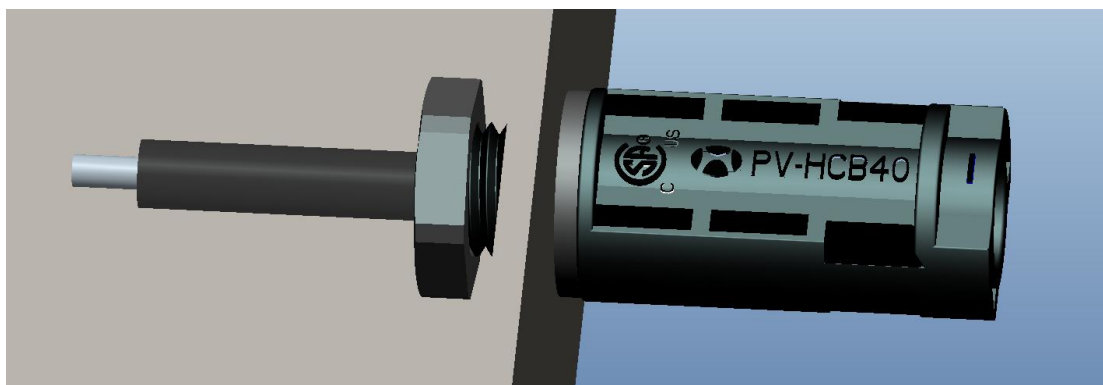
The good terminal cable along the joint rivet hole into the back, when I heard a sound that is installed in place when clicking (as shown below).



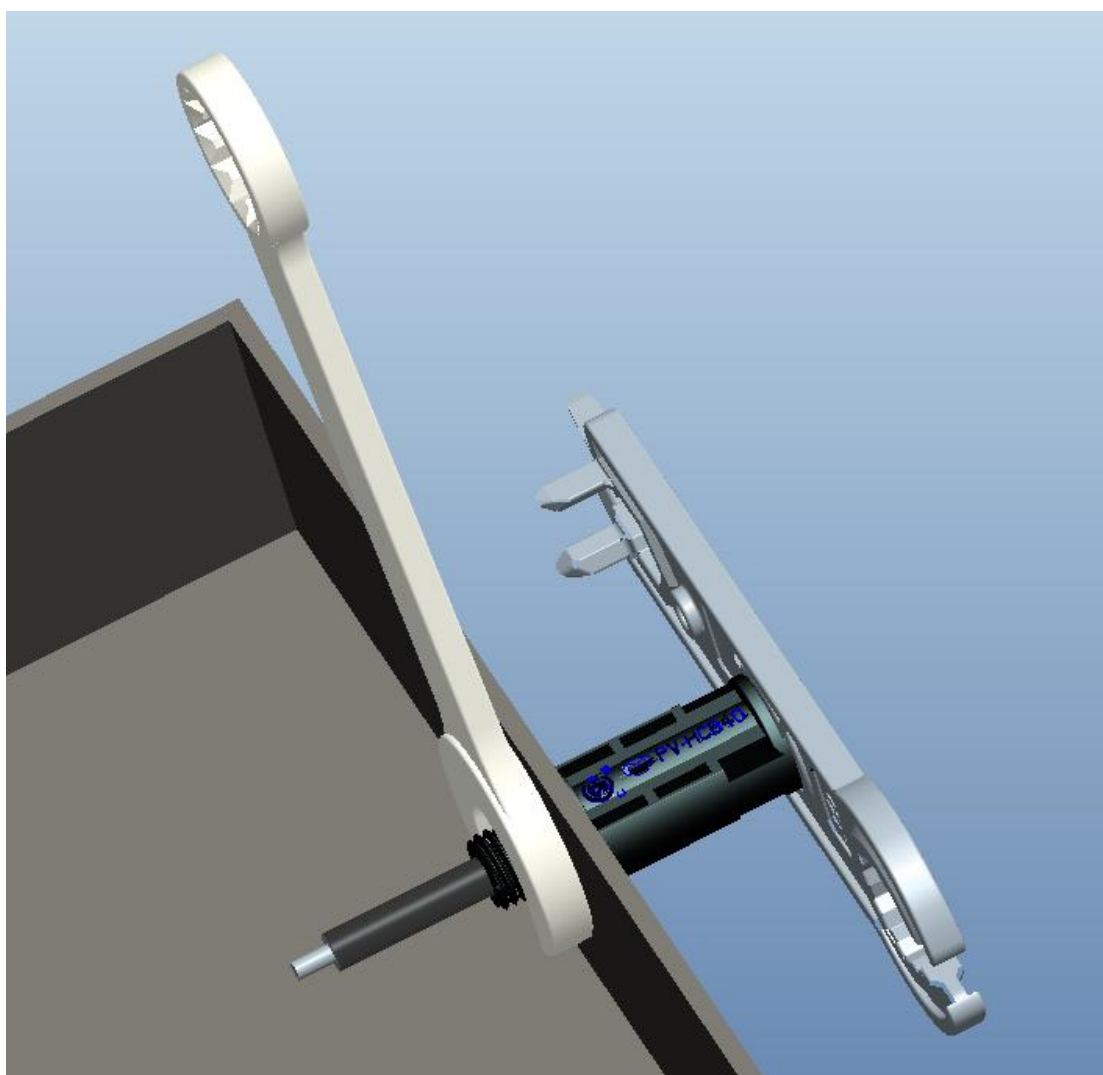
2). 接头后端沿板圆孔处塞入，同时螺母往线缆套入并旋入接头上（如下图所示）。

Back along the plate hole into the joint, Meanwhile the nut is inserted into the cable and screwed into the connector (as shown below).





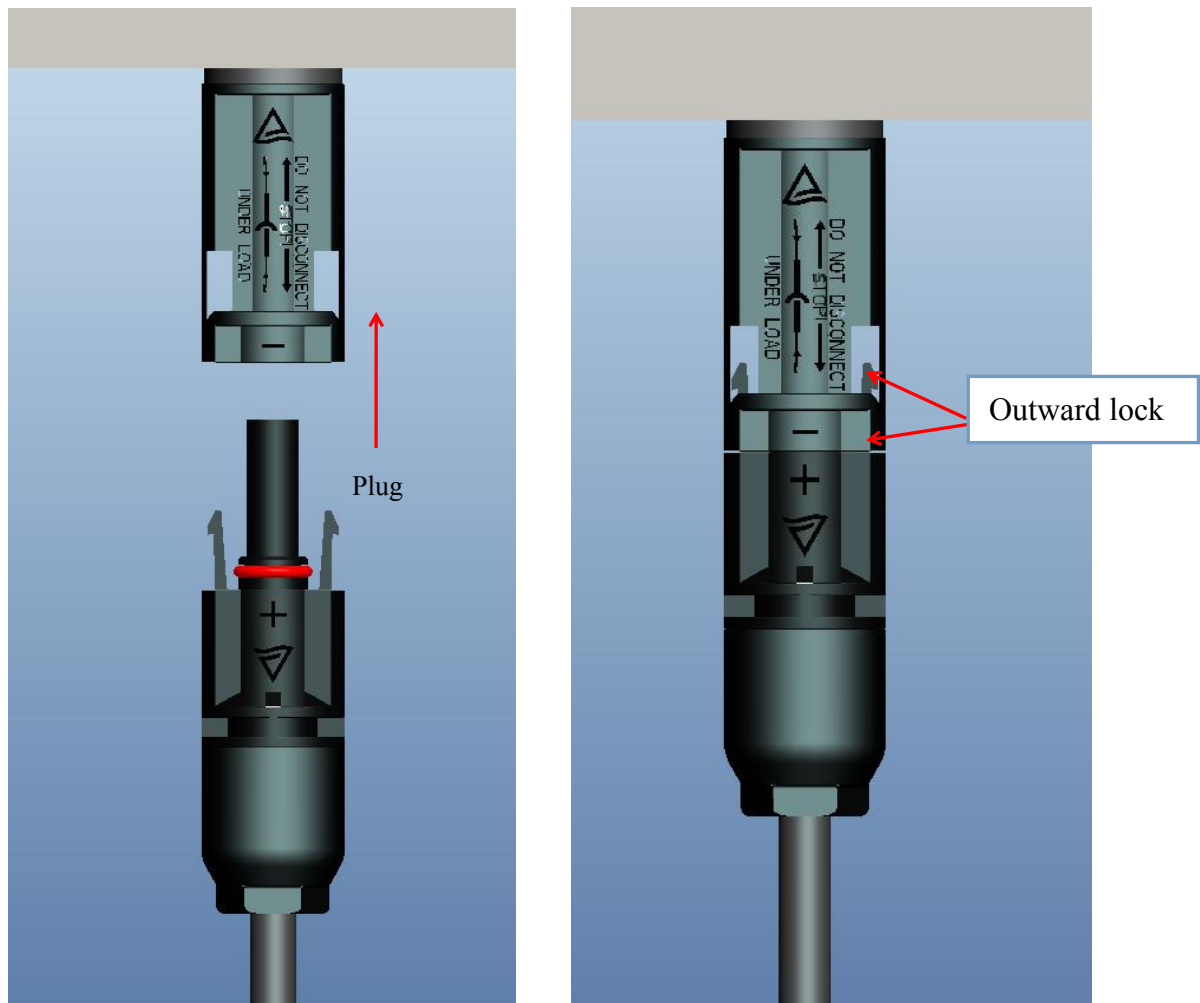
3). 用开口扳手固定螺母，开锁扳手卡紧接头前端并旋紧接头。（如下图所示）。  
Use an open-ended wrench fixed nut, The lock wrench clamping screw joint and the front end of the connector. (as shown below).



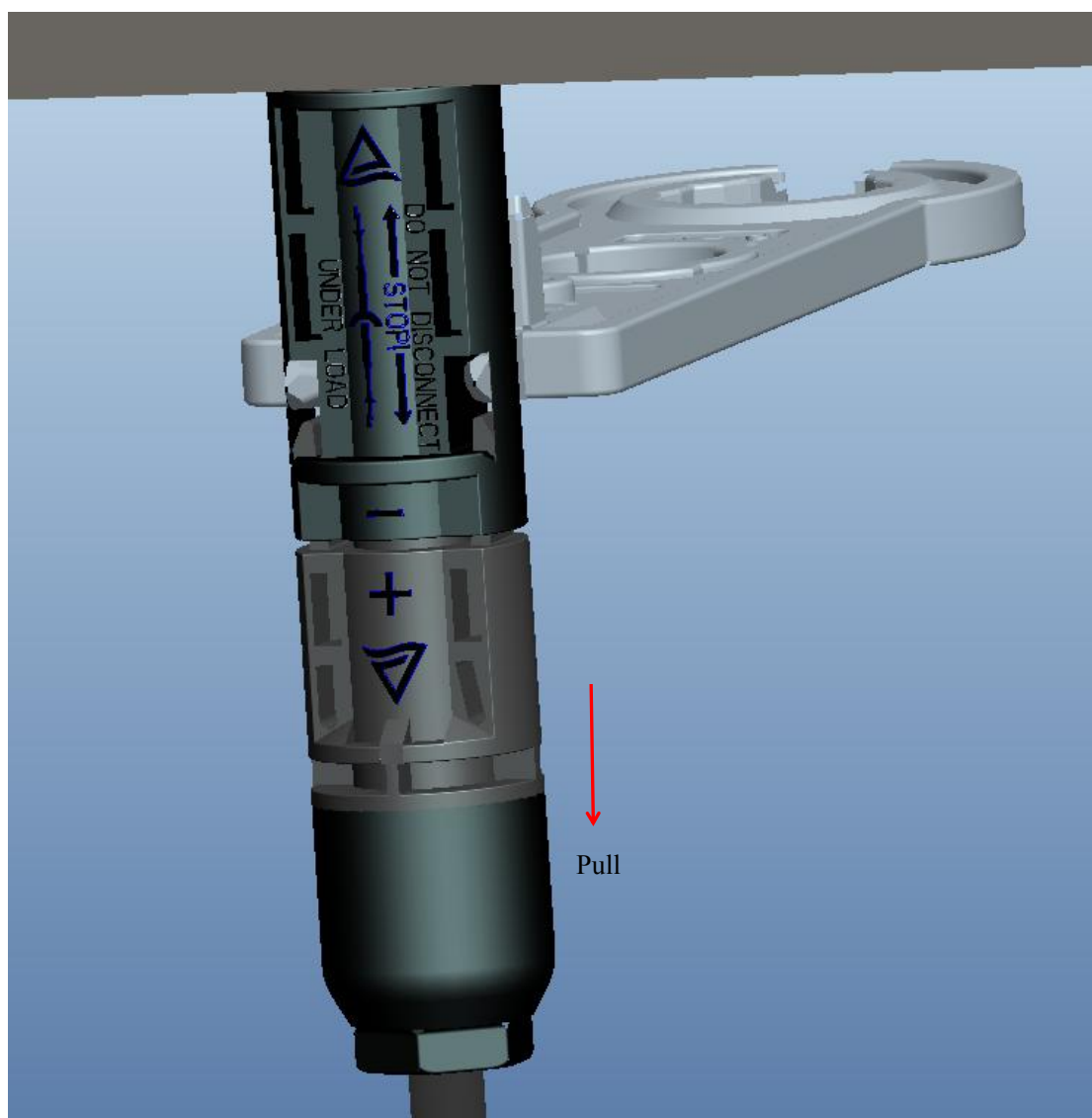
## 5.插拔连接器 **Plugging and unplugging connector**

1).把线端连接器插入到板端连接器中。

Insert the wire end connector into the plate end connector.



2). 把开锁扳手插入连接器扣位处，往后拉动线端连接器即可打开。  
Insert the unlocking wrench into the connector button and pull the connector at the end of the line to open.



备注：PV-HCB40p 为板端连接器

Note: PV-HCB40p is a board end connector

浙江正泰鑫辉光伏有限公司

ZHEJIANG CHINT XINHUI PV CO., LTD

地址：中国浙江省乐清市乐清湾港区下堡路2号

ADDRESS: NO. 2 Xiabao Road, Yueqing Bay District, Yueqing City,

Zhejiang Province, China

手机(Mobile):13695766021

邮编 P.C: 325600

邮箱 E-mail: zhousz@chint.com